



ALTMAN
L I G H T I N G



WORK LIGHT II
LED WORKLIGHT LUMINAIRE
USER MANUAL

WORKLIGHTII_USERS_MANUAL_20210702

USER'S MANUAL

Preface

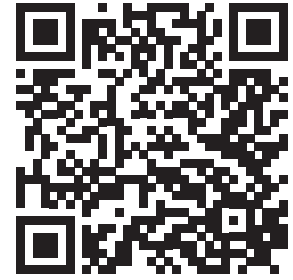
The document provides basic information on installation and operational instructions for a qualified, trained installer. These instructions provide information for the following product:

WorkLight II

Included Accessories:

70-3259 - Color Frame with Diffusing Gel
SC-36-BK - Safety Cable
510 - Malleable Iron Pipe Clamp
PCL-PBG-12-5 (5' 20A power con to Edison male)

Additional product information can be found on our web site at www.altmanlighting.com or by scanning the QR code to the right.



Have a question regarding this manual?

The material in this manual is for information purposes only and is subject to change without notice. Altman Lighting assumes no responsibility for any errors or omissions which may appear in this manual. For comments and suggestions regarding corrections and/or updates to this manual, please visit the Altman Lighting web site at www.altmanlighting.com or contact your nearest [Altman Lighting Regional Manager](#).

El contenido de este manual es solamente para información y está sujeto a cambios sin previo aviso. Altman Lighting no asume responsabilidad por errores o omisiones que puedan aparecer. Cualquier comentario, sugerencia o corrección con respecto a este manual, favor de dirigirlo a la oficina de Altman Lighting más cercana.

Der Inhalt dieses Handbuchs ist nur für Informationszwecke gedacht, Änderungen sind vorbehalten. Altman Lighting uebernimmt keine Verantwortung für Fehler oder Irrtuemer, die in diesem Handbuch auftreten. FürBemerkungen und Verbesserungsvorschlaege oder Vorschlaege in Bezug auf Korrekturen und/oder Aktualisierungen in diesem Handbuch, moechten wir Sie bitten, Kontakt mit der naechsten Altman Lighting Niederlassung aufzunehmen.

Should you have a suggestion or question regarding your Altman Lighting product, we would love to hear from you. You can reach us at:

Altman Lighting
1400 East 66th Ave.
Denver, CO. 80229
+1 (303) 500-7072
www.altmanlighting.com
customerservice@altmanlighting.com
support@altmanlighting.com
sales@altmanlighting.com

Note: Information contained in this document may not be duplicated in full or in part by any person without prior written approval of Altman Lighting Its sole purpose is to provide the user with conceptual information on the equipment mentioned. The use of this document for all other purposes is specifically prohibited.

Our Commitment

Altman Lighting continually engages in research related to product improvement. New materials, production methods and design refinements are introduced into existing products without notice as a routine expression of the philosophy. For this reason any current Altman Lighting product may differ in some respect from its published description, but will always equal or exceed the original design specifications unless otherwise noted.

Document Number: **49-0416**
Version as of: **2021 July 02**

WorkLight II Luminaire Installation & User's Manual
© Altman Lighting 2021. All rights reserved.

Important Information

Product Safety Notices



When using electrical equipment, basic safety precautions should always be followed including the following:

1. READ AND FOLLOW ALL SAFETY INSTRUCTIONS.
2. Do not mount near gas or electric heaters.
3. Equipment should be mounted in locations and at heights where it will not readily be subjected to tampering by unauthorized personnel.
4. Operate only in approved environments. Do not operate outside unless product is designed to do so.
5. The use of accessory equipment not recommended by the manufacturer may cause an unsafe condition.
6. Do not use this equipment for other than intended use.
7. Refer service to qualified personnel.

SAVE THESE INSTRUCTIONS.

Warnings



WARNING: You must have access to a main circuit breaker or other power disconnect device before installing any wiring. Be sure that power is disconnected by removing fuses or turning the main circuit breaker off before installation. Installing the device with power on may expose you to dangerous voltages and damage the device.

WARNING: Refer to National Electrical Code® and local codes for cable specifications. Failure to use proper cable can result in damage to equipment or danger to personnel.

WARNING: This equipment is intended for installation in accordance with the National Electric Code® and local regulations. Before any electrical work is performed, disconnect power at the circuit breaker or remove the fuse to avoid shock or damage to the control. It is recommended that a qualified electrician perform this installation.

WARNING: This Lighting Fixture IS NOT for residential installation or use.

WARNING: The structure where fixture(s) is to be mounted must be capable of supporting the weight of the fixture and its accessories. This fixture is for temporary, portable mounting only.

WARNING: The light source contained in this luminaire shall only be replaced by the manufacturer or its service agent or a similar qualified person.

THIS PRODUCT MUST BE INSTALLED IN ACCORDANCE WITH THE APPLICABLE INSTALLATION CODE BY A PERSON FAMILIAR WITH THE CONSTRUCTION AND OPERATION OF THE PRODUCT AND THE HAZARDS INVOLVED.

CE PRODUIT DOIT ÊTRE INSTALLÉ SELON LE CODE D'INSTALLATION PERTINENT, PAR UNE PERSONNE.

**CONSULT A QUALIFIED ELECTRICIAN TO ENSURE CORRECT BRANCH CIRCUIT CONDUCTOR.
CONSULTER UN ÉLECTRICIEN QUALIFIÉ POUR VOUS ASSURER QUE LES CONDUCTEURS DE LA
DÉRIVATION SONT ADÉQUATS.**

FCC Notice

This equipment has been tested and found to comply with the limits for a Class A digital device, pursuant to part 15 of the FCC Rules. These limits are designed to provide reasonable protection against harmful interference when the equipment is operated in a commercial environment. This equipment generates, uses, and can radiate radio frequency energy and, if not installed and used in accordance with the instruction manual, may cause harmful interference to radio communications.

Operation of this equipment in a residential area is likely to cause harmful interference in which case the user will be required to correct the interference at his own expense.

Altman Lighting Product Warranty

Warranty Terms

Altman Lighting, Inc., a subsidiary of Altman Stage Lighting Company, Inc., herein referred to as Altman, warrants each new product (except for spare parts or products Altman does not manufacture) for a period of FIVE (5) years and ONE (1) day from date of shipment to correct by repair or replacement any part defect due to faulty material or workmanship.

Altman warrants for NINETY (90) days any spare part it manufactures. On spare parts or products Altman does not manufacture, including, but not limited to, lamps, sockets, lenses, roundels, electronics, ignitors, ballasts, etc.; Altman will grant the same warranty given Altman by its vendors. Altman assumes no responsibility for damage or faulty performance caused by misuse, improper installation, careless handling or where repairs have been attempted by others. This warranty is in lieu of all warranties or guarantees expressed or implied and no representative or person is authorized to assume Altman any other liability with the sale of Altman's products.

Altman assumes no responsibility for damage or faulty performance caused by misuse, improper installation, careless handling or where repairs have been attempted by others.

This warranty is in lieu of all warranties or guarantees expressed or implied and no representative or person is authorized to assume Altman any other liability with the sale of Altman's products.

Warranty Service

The customer must receive a Return Material Authorization (RMA) number prior to return, return shipment must be visibly marked with the RMA number and the product must be returned (shipping prepaid) to the factory at:

1400 East. 66th Avenue
Denver, CO 80229 USA
+1-303-500-7072
support@altmanlighting.com

The return must be within FORTY FIVE (45) days of receiving the RMA from Altman. Altman warrants for NINETY (90) days any spare part it manufactures. On spare parts or products Altman does not manufacture, such as lamps, sockets, lenses, roundels, electronics, ignitors, ballasts, etc. Altman will grant the same warranty given Altman by its vendors.

Table Of Contents

Important Information	3
Altman Lighting Product Warranty	4
Table Of Contents	5
Installation And Setup	6
Power Requirements	6
Connecting Power	6
Mains Dimming	6
Mounting	7
Adjusting Tilt	7
Installing C-Clamp	8
Installing Safety Cable	8
Cleaning and Care	9
Special Cleaning and Care Instructions	9
Service and Maintenance	9
Troubleshooting	10
Troubleshooting Guide	10
Specifications	11

Installation And Setup

Power Requirements



WARNING! The maximum allowable input current is 20 Amps. Do not overload circuits! Luminaires must be supplied by a branch circuit protected by a maximum 20 Amp circuit protector. Doit être alimenté par un circuit de dérivation protégé par un maximum de 20 ampères circuit protecteur. Ne surchargez pas les circuits!



The LED Work Light operates on 100 to 230VAC, single phase only and draws a maximum of 90 Watts. This luminaire can be connected to a dimmer or a dimmer-controlled circuit or a circuit providing constant power..

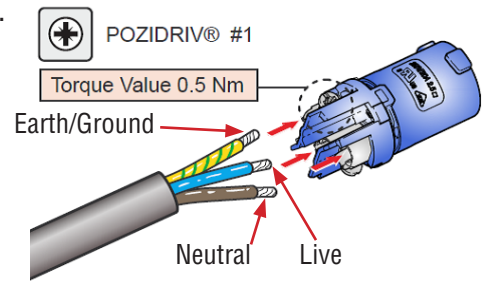
Connecting Power

Units are powered via an AC input cable (sold separately) from 100 to 230VAC, 50/60Hz and draw approximately 90 Watts of power. The table below outlines the wire colors and their purpose.

The WorkLight can be wired into a Phase Cut or Triac Dimmer. On each unit there is a Local Dim dial that will allow to locally dim the unit when connected to constant power.

WIRE COLOR	PURPOSE
Brown or Black	Main / (L)ine
Blue or White	(N)eutral
Green/Yellow or Green	Ground / Earth

Table 1: AC Input Wiring



Neutrik PowerCon Wiring



Note: The Worklight should be connected to Constant Mains power when using the local dim functions. When connected to a remote dimmer the Local Dim should be set to full on.



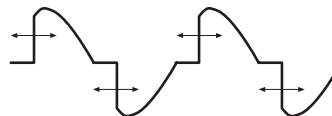
The Work Light II Luminaire must be connected to and properly grounded to an viable earth ground.

Mains Dimming

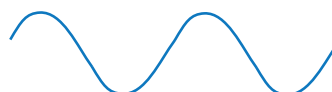
Dimming Notes: The WL-90 is designed as a set it and forget it luminaire that employs a local dim. control and mains dim compatible power supply. When running on mains dim power please make sure that the local dim control is set to full.

The Work Light II employs dimming technology that is compatible with many dimmer types, The overall performance of the mains dim. functionality is based upon the dimmer type and its resolution. The WL II has been designed as a “set it and forget it” luminaire and has a lower dimming resolution than that of our performance mains dim. products. When both the WLII and the Altman Pegasus or Chalice are connected to the same dimmer or type they will display dissimilar dimming curves.

Phase Cut AC Sine Wave
(from dimmer to fixture)



Normal AC Sine Wave
(from source to dimmer)



Mounting

The LED Work Light is simple to install and position where work lighting is needed. The unit is supplied with a C-Clamp, Diffuser Frame, and Safety Cable. When mounting the LED Work Light, you must follow all national and local codes for safe installation and use. Unit weight, with accessories is 11 pounds / 4.98 kilograms.

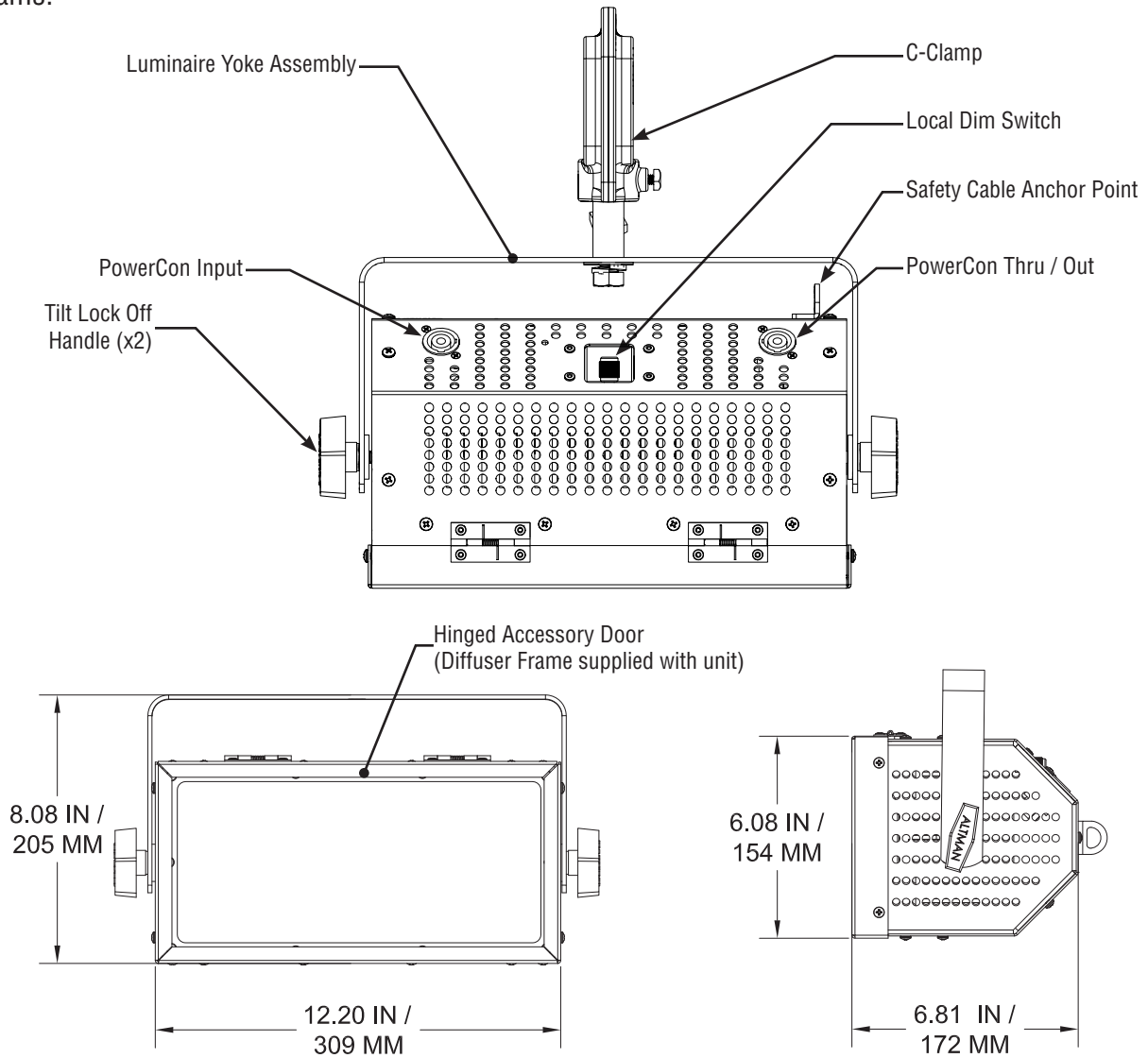


Figure 1: LED Work Light Features

Adjusting Tilt

The LED Work Light can have its tilt adjusted via the two lock off handles on each side of the luminaire (refer to Figure 1). Simple loosen (but DO NOT REMOVE) each handle so the unit is able to swing up and down. Set tilt as desired and re-tighten the two lock off handles so the unit does not move from the set position.

C-Clamp Installation

The provided c-clamp should be installed as shown in **Figure 2**. Only use the hardware supplied with the c-clamp.

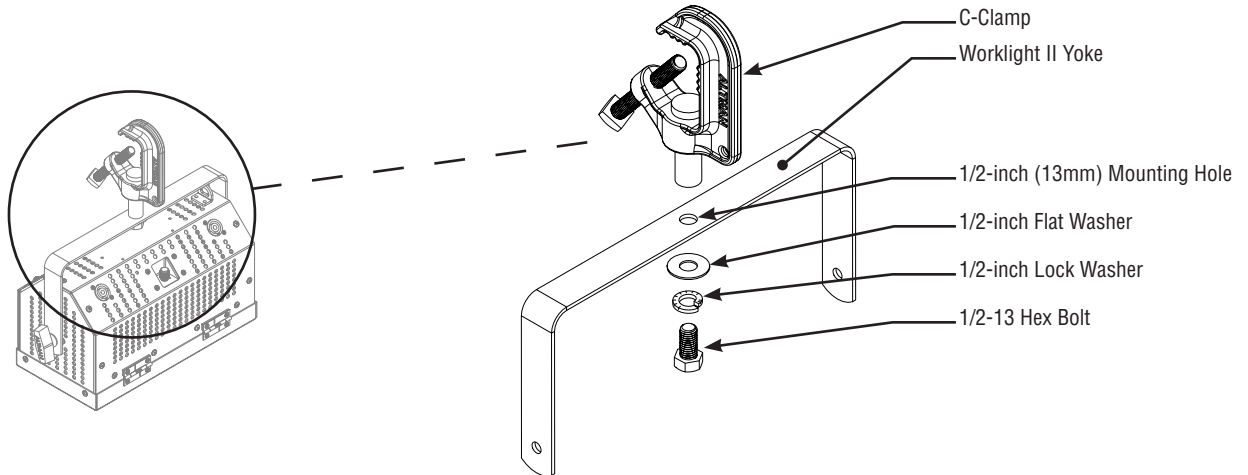


Figure 2: C-Clamp Installation

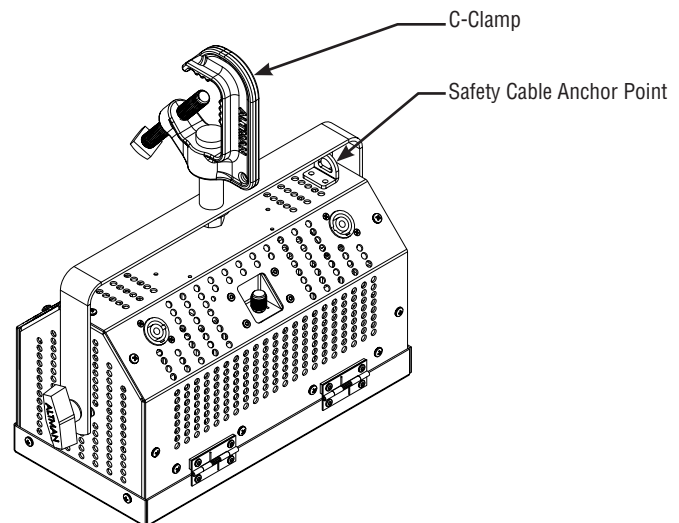
To Install the C-clamp:

1. With luminaire on a flat, sturdy surface, position yoke assembly for easy access as illustrated in **Figure 2**.
2. Place on 1/2-13 hex bolt, in this order, the 1/2-inch lock washer and then the 1/2-inch flat washer.
3. Insert bolt into hole on yoke assembly.
4. Position c-clamp over bolt and thread bolt into c-clamp.
5. Tighten bolt.

Safety Cable Installation

The provided safety cable should be installed in accordance to local and national codes.

NOTE: The safety cable (supplied with unit) should be used and may be required by local and/or national codes when hanging this luminaire. The mounting structure must be capable of supporting the weight of the fixture, lens, cabling, any accessories, etc.



Cleaning and Care



WARNING! All cleaning should be performed with power completely removed from the luminaire. Never remove protective covers when luminaire is powered. Wear appropriate protective eye wear and gloves when cleaning the fixture. All service and maintenance, other than described herein, should be performed by a qualified technician or Authorized Service Center. **AT NO TIME SHOULD THE LED BE TOUCHED.**

Special Cleaning and Care Instructions

Being a solid-state fixture, and unlike most fixtures, the LED Work Light requires very little routine maintenance by the user



WARNING! Under no circumstances should ammonia-based cleaners, acetone, or other harsh solvents be used on or near the LED Work Light. These types of cleaners or solvents can permanently damage the fixture.

If you have any questions regarding the use or care of your LED Work Light, please contact Altman Lighting technical support (support@altmanlighting.com) or your local Authorized Dealer.

IMPORTANT! The Altman Lighting LED Work Light is a solid state, convection cooled luminaire. As with any solid state luminaire it is important that these units not run in a continuous 24/7 operation but be allowed sufficient OFF time during their operation.

Service and Maintenance

IMPORTANT! For all other service and maintenance issues, please contact your local Altman Lighting office at support@altmanlighting.com



WARNING! Disassembly (other than as described herein), alterations, unauthorized service, etc. will void the product warranty. Contact your local Altman Lighting office

Troubleshooting

Troubleshooting Guide

The chart below provides possible causes and remedies for various error messages and/or symptoms. If this chart is unable to address your issue, please contact your authorized dealer or Altman customer service for assistance.



Any service and maintenance (including troubleshooting), other than described herein should be performed by an Authorized Altman Lighting Dealer or Service Center.

DESCRIPTION	ISSUE	POSSIBLE CAUSE/REMEDY
No light output	Fixture will not produce or output light and connected to power	Check to see that the Local Dim Switch is set to anything above zero. When plugged into a Dimmer the Local Dim Switch needs to be at Full.
Low light output	Fixture produces low light output and connected to power.	Check to see that the Local Dim Switch is set above zero. When plugged into a Dimmer the Local Dim Switch needs to be at Full. Make sure that the output of the connected dimmer is set to any top end Power limitations.
No power at luminaire	Luminaire does not power up.	Circuit not energized...verify circuit breaker is turned on. Not plugged in...ensure A/C cable is connected to power source. Power cable wired incorrectly...verify power cable and connector are wired correctly. See "Connecting Power" on page 6 for more information.

Specifications

Materials:	Corrosion-resistant materials and hardware
Housing:	Lightweight aluminum construction
Control:	Phase Cut or Triac Dimmer, or Constant power with on board local fader control.
Light Engine:	90W LED Array - Available in 3000K or 5000K
Rated Lifespan:	Array rating >50,000 hours to L70
Input Voltage:	100-230 VAC 50/60 Hz
Wattage:	90 Watts
LED Engine Cooling:	Convection, passive
Color Options:	Black or White. Custom colors - consult factory
Environment:	0 - 40°C (32 - 104°F) with humidity of 5-95% non-condensing)
Weight:	11 lbs. (4.98 kg)*
Compliance:	cETLus listed for indoor use
Warranty:	Five (5) years and One (1) day
Support:	Supported Forever - free phone and online tech support for the life of your product.

Notes:

* - Weight was taken with the 510 and Color Frame attached to the Fixture